

Surface  
**SMT**  
Mount

# QUAD ROW SOCKET SOLC SERIES

## SPECIFICATIONS

For complete specifications and recommended PCB layouts see [www.samtec.com?SOLC](http://www.samtec.com?SOLC)

**Insulator Material:**  
Black Liquid Crystal Polymer



**Contact Material:**  
Phosphor Bronze

**Plating:**  
Au over 50µ" (1,27µm) Ni

**Current Rating:**  
2.5A @ 80°C ambient

**Operating Temp Range:**  
-55°C to +125°C

**Contact Resistance:**  
10 mΩ max

**Insertion Depth:**  
(1,68mm) .066" to (3,61mm) .142" with (0,38mm) .015" wipe

**Insertion Force:**  
(Single contact only)  
2.0oz (0,56N) average

**Normal Force:**  
75 grams (0,74N) average

**Withdrawal Force:**  
(Single contact only)  
1.5oz (0,42N) average

**Max Cycles:**  
100+

**RoHS Compliant:**  
Yes

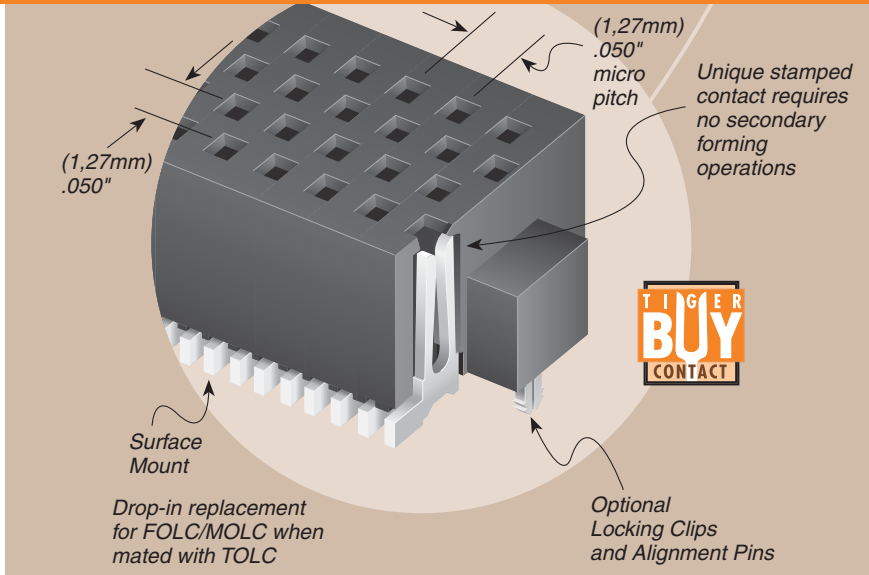
### Processing:

**Max Processing Temp:**  
230°C for 60 seconds, or 260°C for 20 seconds 3x

**Lead-Free Solderable:**  
Yes

**SMT Lead Coplanarity:**  
(0,10mm) .004" max (05-35)  
(0,15mm) .006" max (40-50)

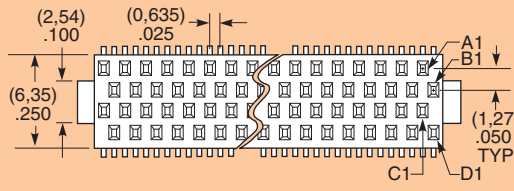
Mates with:  
TOLC



Unique stamped contact requires no secondary forming operations



**05, 10, 15, 20, 25, 30, 35, 40, 45, 50**  
(Call Samtec for other sizes)

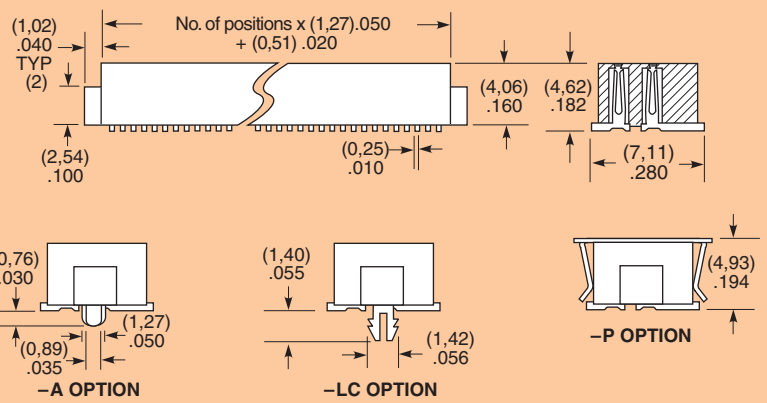


**-S**  
= 30µ" (0,76µm) Gold on contact, Gold flash on tail

**-L**  
= 10µ" (0,25µm) Gold on contact, Gold flash on tail

**-F**  
= Gold flash on contact, Gold flash on tail

- A**  
= Alignment Pin
- LC**  
= Locking Clip
- K**  
= (7,00mm) .276" DIA Polyimide film Pick & Place Pad
- P**  
= Pick & Place Pad
- TR**  
= Tape & Reel



**TAPE & REEL AVAILABILITY**

No tooling charges.  
Minimum order is the lesser of a full reel quantity or 125 pieces.  
Order any quantity above minimum.  
In-house design, manufacture.  
Quick turn-around.

Call Samtec for specifications and ordering information.

**Note:**  
Some sizes, styles and options are non-standard, non-returnable.

Due to technical progress, all designs, specifications and components are subject to change without notice.

[WWW.SAMTEC.COM](http://WWW.SAMTEC.COM)